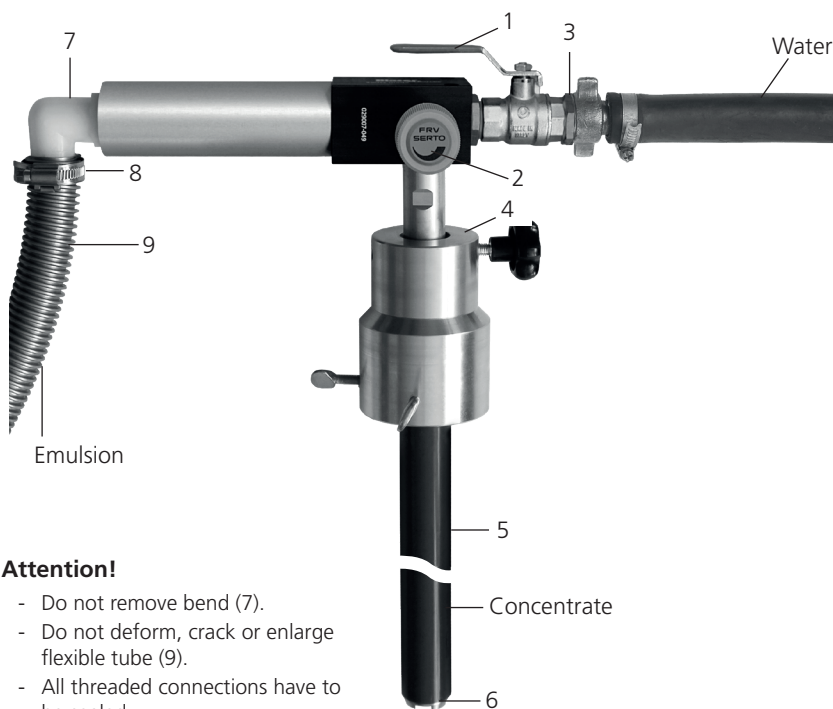


# Mini-Jetmix

art. 9264

## Assembly- and service-manual



### Attention!

- Do not remove bend (7).
- Do not deform, crack or enlarge flexible tube (9).
- All threaded connections have to be sealed.
- The Mini-Jetmix shall be operated by the water handle (1) only and not with an other valve in the water supply system.

### Nomenclature:

- 1 Water handle
- 2 Valve for setting of concentration
- 3 Waterconnection G  $\frac{3}{4}$ "
- 4 Flansch
- 5 Concentrate suction tube
- 6 Non-return valve
- 7 Bend
- 8 Hose clip
- 9 Flexible tube

### Technical data:

Concentration range:	0.5 - approx. 25 %
Water pressure required:	2 - 6 bar dynamic
Performance at a water pressure of 3 bar:	960 l/h
Connections:	G $\frac{3}{4}$ " (male thread)
Weight:	2.7 kg gross
Casing:	aluminium
Color:	blue / silver

### Mounting

Adapt the telescopic suction tube (5) to the container size (Important: At the beginning the expanding needs some force). Screw the suction tube (5) in to the Mini-Jetmix and tighten it.

**Cans:** Flange (4) an der Gebindeöffnung anbringen.

**Drum:** Screw Flange (4) into the bunghole of the drum.

### Water connection (a)

Connect high pressure water hose to Mini-Jetmix G  $\frac{3}{4}$ " coupling (3) with swivel type connection. Make sure that no water leaks on top or inside the pail can. The water connection must be protected according to the regional regulations, so that a backflow of emulsion into the water network is prevented in all cases. In Europe, the water connection must be protected by a system separation device of the BA type according to the EN 1717 standard.

### Commissioning

After connection to the water conduit as well as immersion of the suction pipe for concentrate (5) into the concentrate container, the water handle (1) can be operated. Emulsion output from plastic tube (9).

The required concentration is set by the valve (2). The respective concentration depends on the viscosity of the concentrate and the water pressure. The Mini-Jetmix will therefore have to be adjusted by means of a calibrated refractometer. In order to avoid pressure shock waves in the water conduit line, the water handle (1) always has to be closed slowly. When Mini-Jetmix is not in use, disconnect the hose and release water pressure.

### Permanent water connection

A backflow preventer according to the local regulations has to be installed by a licensed plumber if the Mini-Jetmix is permanently attached to a water supply.

### Possible reasons for trouble:

- Concentrate in pail can empty
- Suction hose for concentrate blocked
- Suction of air in the concentrate range
- Inadmissible manipulation on Mini-Jetmix (deassembling, fitting on strange object, alterations, connections not tight enough etc.)
- Dynamic waterpressure too low
- Concentration setting valve closed

